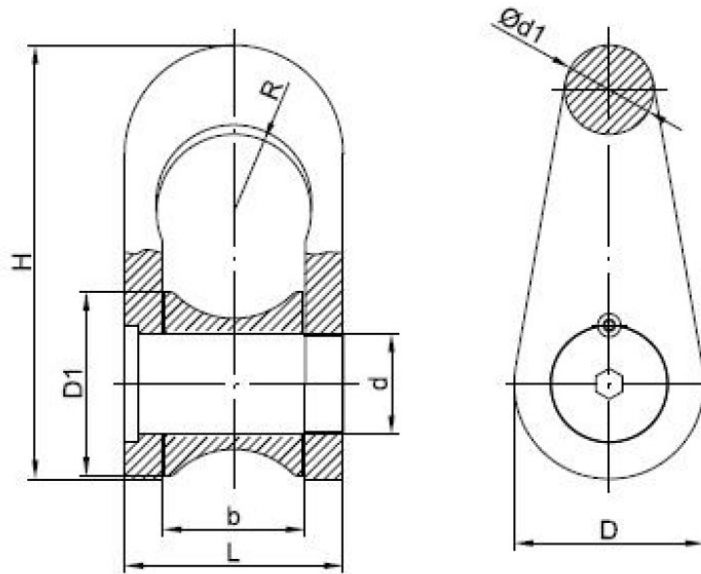


Mandal Fairlead Shackle



| SWL (Ton) | Proof Load (Ton) | Breaking Load (Ton) | d | d1 | D1 | b | L | D | H | R |
|-----------|------------------|---------------------|----|----|-----|-----|-----|-----|-----|----|
| 30 | 60 | 90 | 60 | 60 | 120 | 66 | 95 | 122 | 295 | 38 |
| 40 | 80 | 120 | 72 | 65 | 120 | 90 | 125 | 130 | 325 | 50 |
| 45 | 90 | 140 | 80 | 70 | 150 | 120 | 165 | 150 | 340 | 65 |
| 55 | 110 | 165 | 85 | 75 | 155 | 120 | 184 | 160 | 360 | 65 |
| 60 | 120 | 180 | 90 | 80 | 170 | 125 | 195 | 180 | 390 | 68 |

Remark: 1. Material: Stainless Steel
 2. Class Certificate on request

